

Lomo23

TOSOT

MODEL: TW18HQ2A3D

Project Name:

Location:

Engineer Name:

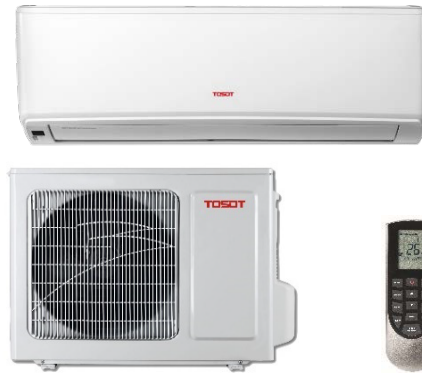
Purchaser:

Unit Designation:

Schedule No.

Submitted To:

Date:



**General Features**

- Smart 1 Hertz Inverter Technology
- Low Ambient Cooling to 5 °F
- Multiple Fan Speeds
- Memory Function
- Fan Delay Function
- Intelligent Pre-heating / Defrost

- Gold Fin Condenser
- Low Voltage Start-up
- High And Low Pressure Protection Features
- Load Protection Features
- Over-Current Protection
- Anti Freeze Protection

**Unit Performance:**

<i>Cooling:</i>	-	-
Capacity (Min Rated Max, Btu/h)	6,800-18,000-20,000	
SEER	20	
EER	12.5	
<i>Heating:</i>	-	-
Capacity (Min Rated Max, Btu/h)	7,340 -19,800- 23,500	
HSPF	10	
COP (W/W)	3.35	

**Compressor**

Cooling Operation Ambient temp. Range	5~115 °F
Heating Operation Ambient temp. Range	-5~75 °F
Compressor Type	Rotary
Compressor RLA (A)	12.08
Crankcase Heater	Yes

**Unit Specification**

Refrigerant Type	R410A
Refrigerant Charge (oz)	56.44
ODU Sound Pressure (dB(A))	55
IDU Sound Pressure (dB(A))	39 / 47
ODU Net Weight (lbs)	105
IDU Net Weight (lbs)	27.6
Dehumidifying (Pint/h)	3.8

**Electrical Specification**

Power Supply	208-230V / 60Hz
Communications Wire Size	AWG 14
MOP (A)	25
MCA (A)	16
Cooling Rated Amps (A)	10.39
Heating Rated Amps (A)	12.56
Compressor RLA (A)	12.08
Indoor Fan Motor RLA (A)	0.24
Outdoor Fan Motor RLA (A)	0.49
Nominal Cooling Power Input (kW)	1.43
Nominal Heating Power Input (kW)	1.73

**Fan**

ODU / IDU Type	Axial-flow/Cross-flow
Fan Motor Output (W)	60
Motor/Drive	Direct Drive
ODU Max Air Flow Rate (CFM)	3200
IDU Air Flow Rate (CFM)	335 / 559

**Piping**

Liquid Line (in, OD)	1/4
Gas Line (in, OD)	5/8
Additional Refrigerant (oz./ft.)	0.2
Max Pipe Length (ft.)	82
Piping Length (with factory charge, ft.)	24.6
Max Elevation (ft.)	49



AHRI certification Ref #

## Capacity Variation Ratio According to Temperature

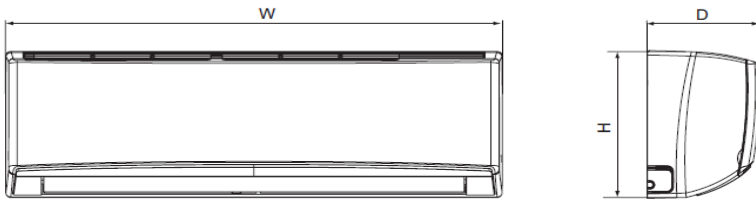
<b>COOLING PERFORMANCE (BtuH)*</b>									
Outdoor Ambient DB	Indoor Ambient Temperature								
	68F DB (20C)		73F DB (23C)		80F DB (27C)		82F DB (28C)		
	57F WB (14C)		61F WB (16C)		67F WB (19C)		68F WB (20C)		
	TC	SHC	TC	SHC	TC	SHC	TC	SHC	
5°F	11,484	9,007	12,132	9,511	13,692	10,739	14,072	11,037	
14°F	11,778	9,238	12,438	9,754	14,214	11,146	14,609	11,456	
23°F	12,582	9,870	13,458	10,557	15,420	12,094	15,848	12,430	
32°F	15,258	11,967	16,320	12,799	17,874	14,015	18,371	14,404	
41°F	17,280	13,553	18,360	14,398	19,620	15,388	20,165	15,816	
50°F	17,076	13,395	18,162	14,246	19,440	15,248	19,980	15,672	
59°F	16,656	13,061	17,736	13,911	19,260	15,109	19,795	15,528	
68°F	16,236	12,732	17,316	13,583	18,900	14,823	19,425	15,235	
77°F	15,822	12,410	16,896	13,249	18,540	14,543	19,055	14,947	
86°F	15,366	12,052	16,440	12,890	18,000	14,118	18,500	14,510	
95°F	14,994	11,760	16,062	12,599	17,766	13,936	18,260	14,323	
104°F	14,622	11,468	15,690	12,307	17,532	13,753	18,019	14,135	
113°F	13,872	10,879	14,940	11,717	16,788	13,164	17,254	13,530	
<b>HEATING PERFORMANCE (BtuH)*</b>									
Outdoor Ambient DB	Indoor Ambient Temperature								
	68F DB (20C)		73F DB (23C)		80F DB (27C)		86F DB (30C)		
	57F WB (14C)		61F WB (16C)		67F WB (19C)		72F WB (22C)		
	TC	SHC	TC	SHC	TC	SHC	TC	SHC	
-4°F	10,389	10,389	10,290	10,290	10,117	10,117	9,708	9,708	
0°F	11,255	11,255	11,150	11,150	10,964	10,964	10,513	10,513	
6°F	11,874	11,874	11,762	11,762	11,564	11,564	11,088	11,088	
10°F	12,369	12,369	12,251	12,251	12,047	12,047	11,552	11,552	
16°F	12,740	12,740	12,623	12,623	12,412	12,412	11,899	11,899	
19°F	12,994	12,994	12,864	12,864	12,653	12,653	12,128	12,128	
24°F	14,435	14,435	14,312	14,312	14,095	14,095	13,575	13,575	
32°F	16,118	16,118	15,995	15,995	15,778	15,778	15,258	15,258	
41°F	18,043	18,043	17,919	17,919	17,709	17,709	17,183	17,183	
43°F	18,525	18,525	18,402	18,402	18,185	18,185	17,665	17,665	
47°F	20,202	20,202	19,998	19,998	19,652	19,652	18,798	18,798	
53°F	20,406	20,406	20,196	20,196	19,843	19,843	18,983	18,983	
59°F	20,870	20,870	20,660	20,660	20,295	20,295	19,416	19,416	
64°F	21,316	21,316	21,099	21,099	20,728	20,728	19,831	19,831	
70°F	21,718	21,718	21,495	21,495	21,124	21,124	20,208	20,208	
75°F	22,021	22,021	21,799	21,799	21,415	21,415	20,487	20,487	
* Maximum system capacity									
TC- Total Capacity ( BtuH)									
SHC- Sensible Capacity (BtuH)									

Lomo23

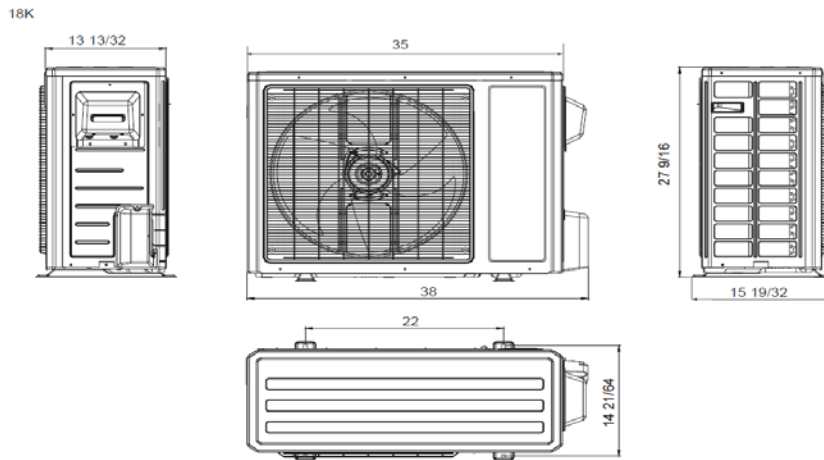
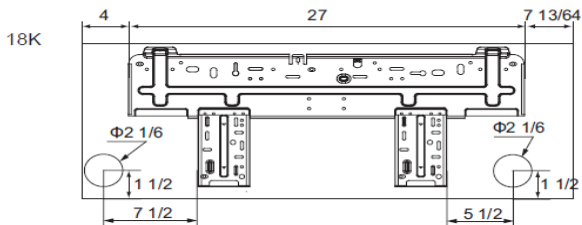
**TOSOT**

MODEL: TW18HQ2A3D

Outline Dimension Diagram



Dimensions		
W	H	D
38 13/64"	11 13/16"	8 13/16"



Unit: inch

Approved By:

Signature

Date

**TOSOT**

315 Boulevard Industriel, Châteauguay, QC, Canada J6J 4Z2  
Contact: +1 (450) 698-4000  
[info@tosotamerica.com](mailto:info@tosotamerica.com)  
[tosotamerica.com](http://tosotamerica.com)